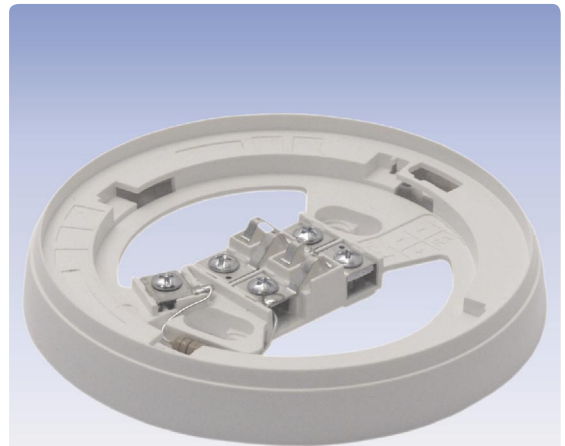


Detector Base Series FC600

FC600/BR

- **Suitable for automatic detectors in conventional technology**
- **Designed for indoor surface mounting**
- **Terminals for connection of external remote indicator**
- **Anti-tamper locking feature**



Description

The detector base FC600/BR is designed for the easy connection of automatic detectors of Series FC600 in conventional technology. Thanks to its robust sharable connection terminals, the detectors can be durably wired in secure screw joints with virtually no effort.

The base provides an easy connection option for an external remote indicator and is designed for wall mounting in dry rooms. By breaking out a plastic bolt in the base, the detector that has been inserted can be secured against unauthorized removal.

Specifications

| | |
|---------------------|------------------------------|
| Ambient temperature | -30°C to +70°C |
| Relative humidity | 5 – 95% (no condensation) |
| Dimensions ø × h | 110 × 16 (mm) |
| Colour | white |
| Weight | 32g |
| Order number | 246070 |
| Order name | Detector Base/FC600 FC600/BR |